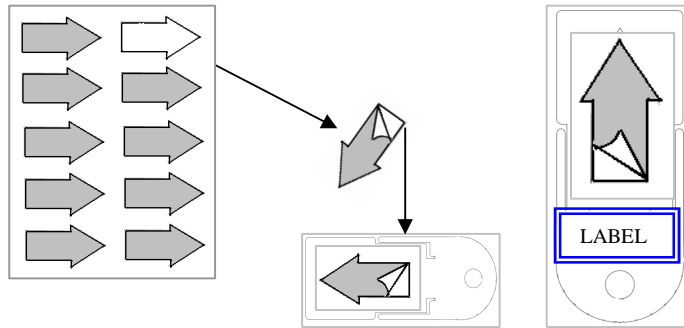
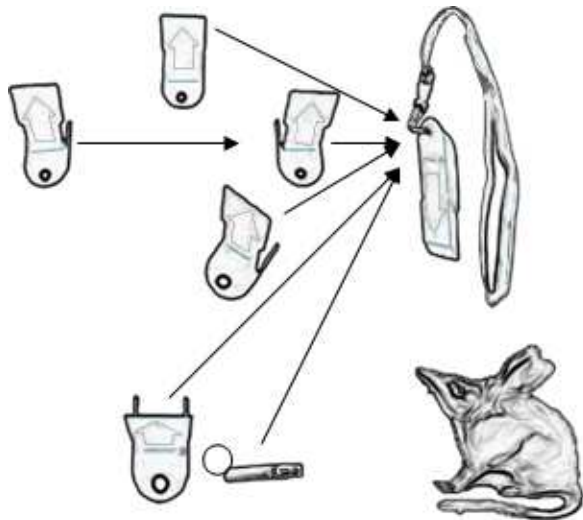


ZONE WISE INSTRUCTIONS

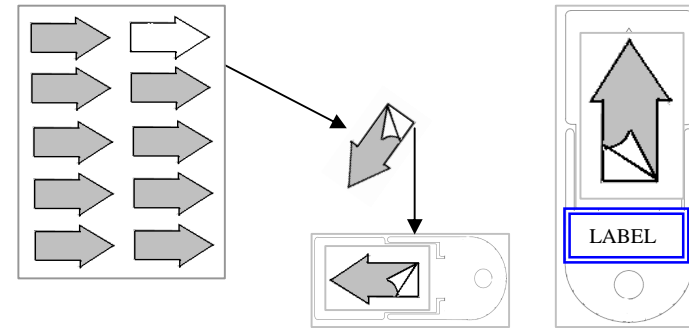


1. GENTLY PEEL OFF ADHESIVE ARROWS.
2. PLACE ON RECESS IN TAG FRONT AND BACK.
3. INSCRIBE A **UNIQUE ID** IN LABEL AREA.
4. ATTACH WHISTLE AND SET OF 5 TAGS TO LANYARD.

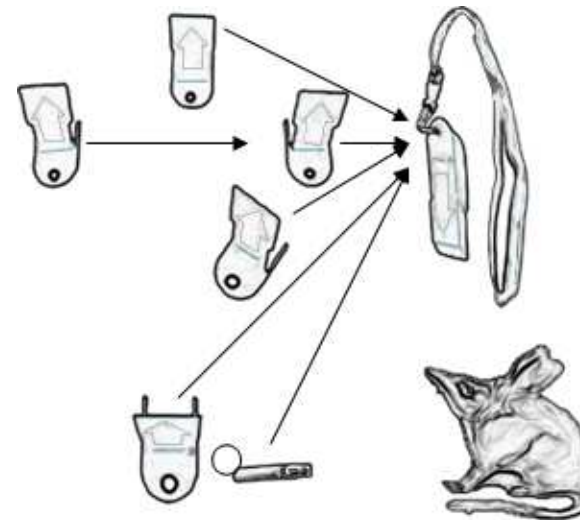


ITEMS FOR USE WITH THE "BILBI HIKING METHOD"

ZONE WISE INSTRUCTIONS



1. GENTLY PEEL OFF ADHESIVE ARROWS.
2. PLACE ON RECESS IN TAG FRONT AND BACK.
3. INSCRIBE A **UNIQUE ID** IN LABEL AREA.
4. ATTACH WHISTLE AND SET OF 5 TAGS TO LANYARD.



ITEMS FOR USE WITH THE "BILBI HIKING METHOD"